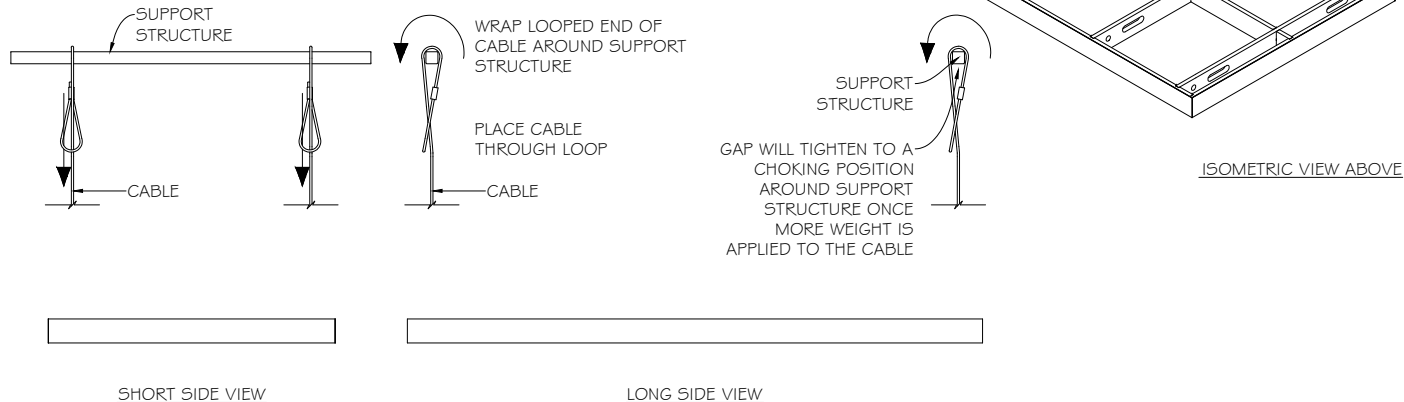
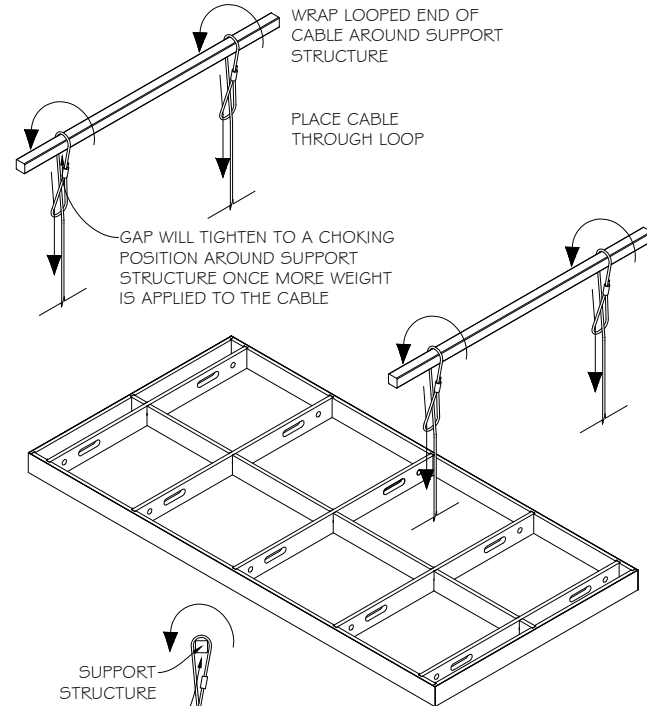


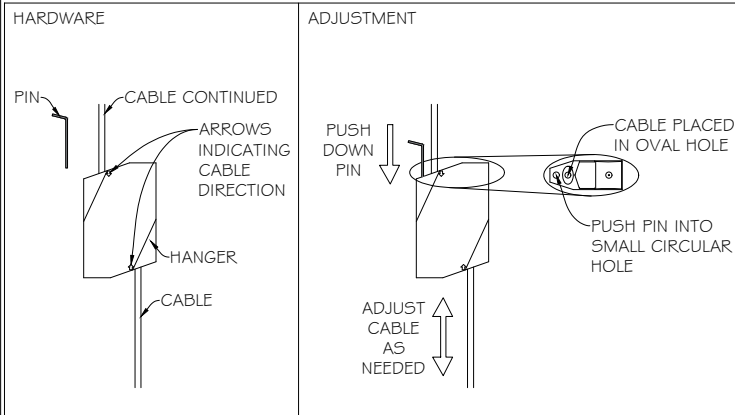
STEP 1.

NOTE:
 ALL CONSTRUCTION MUST BE COMPLETE BEFORE PRODUCT ARRIVES
 PRODUCT MUST ACCLIMATE AT LEAST 48 HOURS BEFORE INSTALLING
 AREA MUST BE CLEAN, DEBRIS-FREE, & DUST-FREE
 READ WARRANTY NOTICE FOR MORE INFORMATION

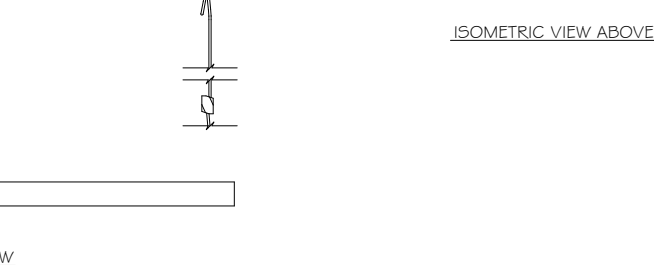
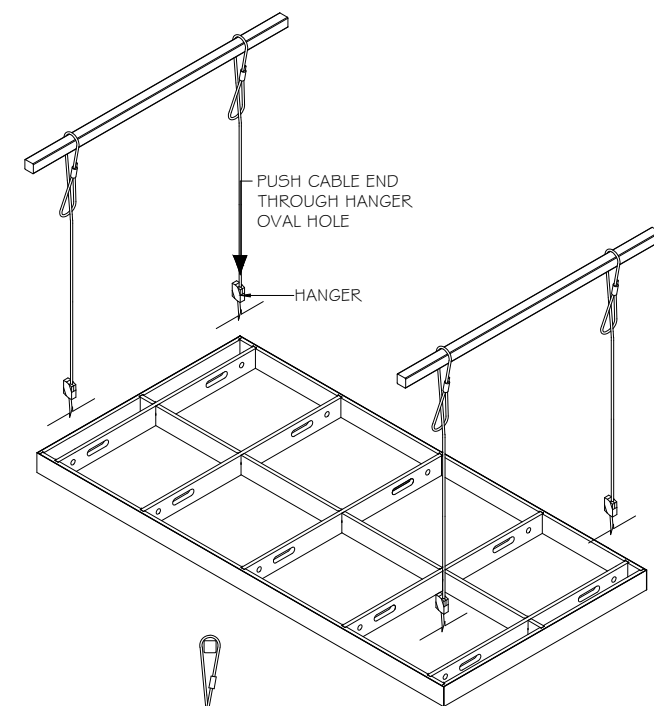
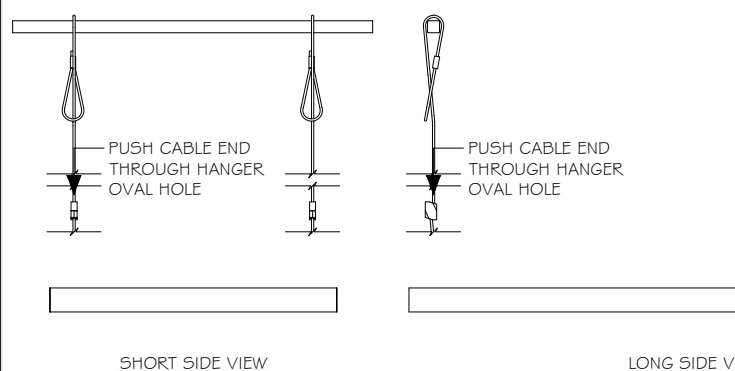
AVOID WRAPPING CABLE AROUND SHARP CORNERS
 USE THIMBLES, CORNER GUARDS, ETC. TO PREVENT CABLE CUTS/TEARS
 IF CABLE IS DAMAGED, REPLACE IMMEDIATELY TO AVOID INJURIES
 DO NOT EXCEED CABLE WEIGHT LIMIT
 DO NOT USE MORE THAN ONE HANGER PER CABLE



STEP 2.



- HANGER CABLE RELEASE TOOL OPTIONS:
- PIN PROVIDED WITH HANGERS (Ø.05" OR Ø1.5MM)
 - .05" ALLEN HEX KEY WRENCH (1/16" IS TOO LARGE)
 - 1.27MM OR 1.5MM ALLEN HEX KEY WRENCH (2MM IS TOO LARGE)
 - LARGE PAPER CLIP

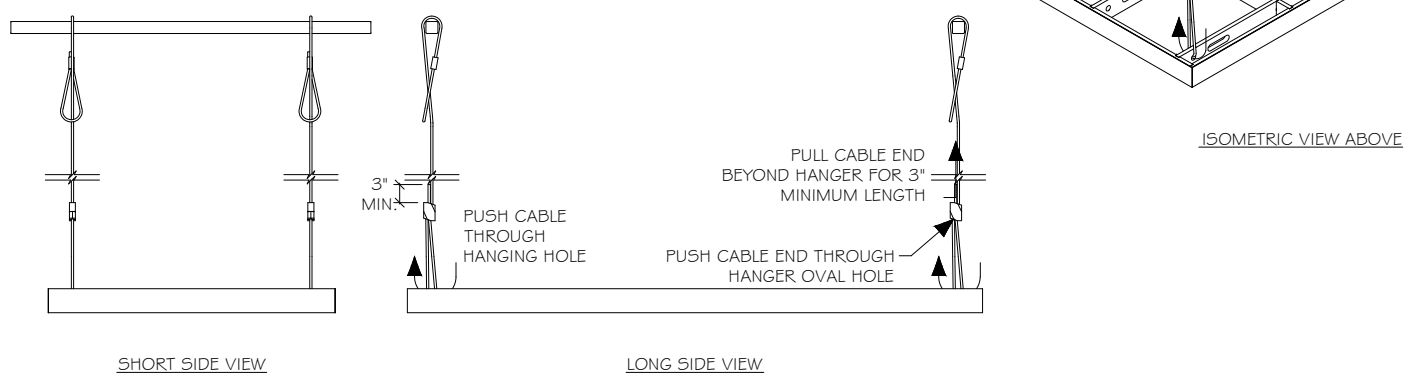
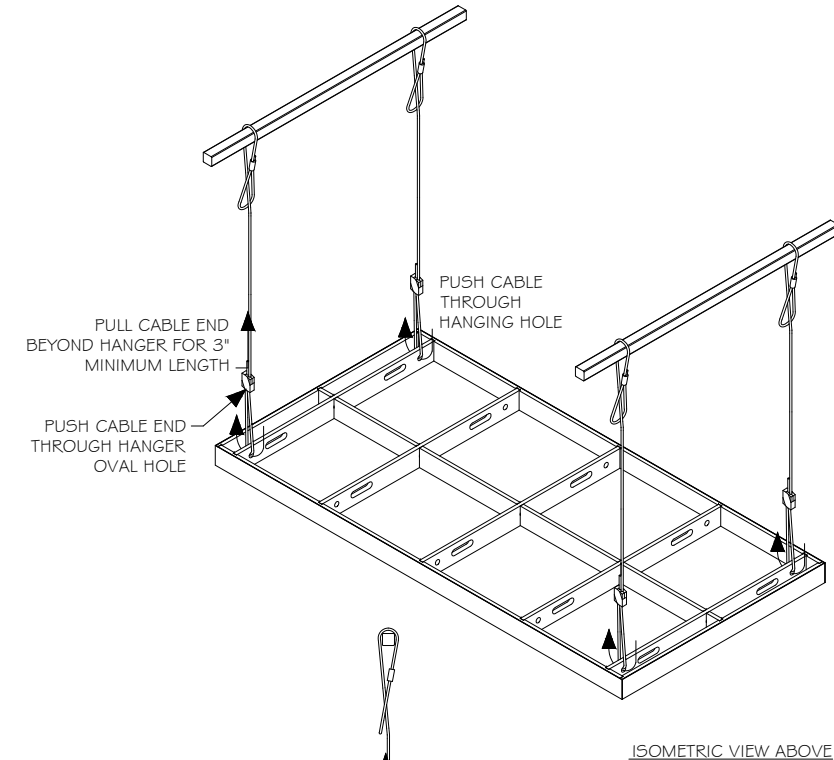


Real Acoustix
 801-782-1010
 2361 B AVE
 OGDEN, UTAH 84401
 INFO@REALACOUSTIX.COM

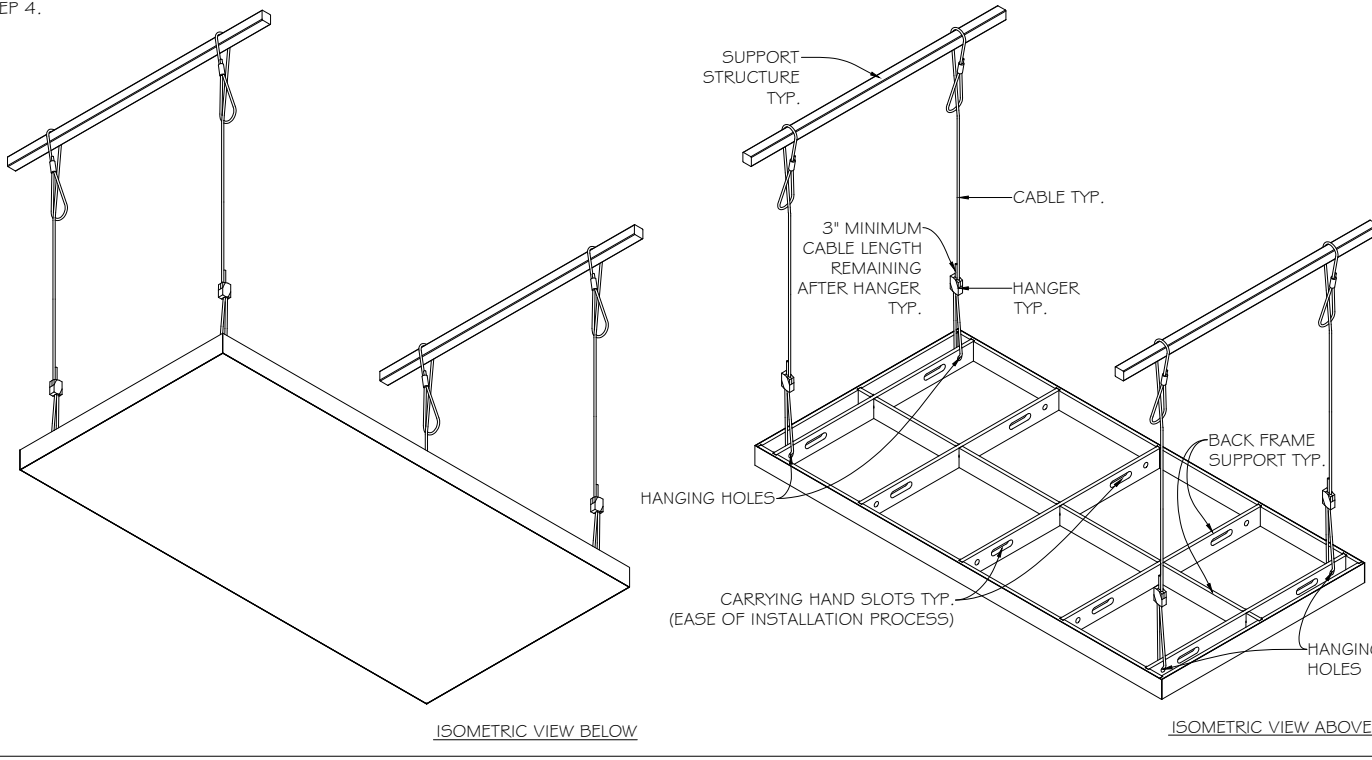
INSTALLATION
 FLUSH FRAME CEILING

PLEASE NOTE THAT THESE INSTRUCTIONS ARE FOR GUIDANCE ONLY. REALACOUSTIX LLC, ITS OWNERS, EMPLOYEES AND STAFF SHALL ASSUME NO LIABILITY FOR THE COMPREHENSION OF THESE INSTRUCTIONS OR THE FOLLOWING THEREOF. NO LIABILITY ON THE PART OF REALACOUSTIX LLC SHALL BE ASSUMED FOR THE WORK INVOLVED IN INSTALLATION OF ITS PRODUCTS BY OTHERS. PLEASE NOTE THAT ALL SAFE PRACTICES AS SPECIFIED BY THE LOCAL BUILDING CODES, OSHA, AND OTHER STANDARD ORGANIZATIONS SHOULD BE FOLLOWED IN THE SELECTION OF MATERIALS AND/OR METHODS USED IN HANGING, MOUNTING, OR INSTALLING REALACOUSTIX LLC PRODUCTS.

STEP 3.



STEP 4.



- ADJUSTMENTS:
1. OBTAIN A PIN (RECOMMENDED), ALLEN HEX KEY, OR A THICK PAPER CLIP
 2. OBSERVE THE BACK SIDE OF THE HANGER TO NOTICE TWO SMALL ARROWS
 3. ON THE SAME SIDE THAT THE CABLE IS RUNNING THROUGH, INSERT THE PIN OR PAPER CLIP INTO THE SMALLEST CIRCULAR HOLE (TOO SMALL TO FIT CABLE THROUGH)
 4. THE ARROWS ON THE BACK SIDE OF THE HANGER INDICATE WHICH DIRECTION THE CABLE SHOULD GO; WITH THE PIN OR PAPER CLIP INSERTED, THE CABLE WILL HAVE ACCESS TO GO BOTH DIRECTIONS

CAUTION: IF ADJUSTMENTS ARE BEING MADE THAT REQUIRE RELEASING THE CABLE, BE SURE THAT THERE IS MORE THAN ENOUGH SUFFICIENT SUPPORT OF THE PRODUCT BEFORE DO SO. THE CABLE MAY RELEASE AND RAPIDLY COME OUT OF THE PRODUCT HANGING HOLE IF THIS IS NOT DONE CAREFULLY. ENSURE THAT MULTIPLE HANGERS ARE INSTALLED THROUGHOUT THE PRODUCT PRIOR TO THESE TYPES OF ADJUSTMENTS. ONLY ADJUST ONE HANGER AT A TIME. THERE IS RISK OF INJURY OR DEATH IF THESE SAFETY GUIDELINES ARE NOT FOLLOWED. SAFETY FIRST!

PROPRIETARY AND CONFIDENTIAL
 THE INFORMATION CONTAINED IN THIS DRAWING IS THE SOLE PROPERTY OF REALACOUSTIX LLC. ANY REPRODUCTION IN PART OR AS A WHOLE WITHOUT THE WRITTEN PERMISSION OF REALACOUSTIX LLC. IS PROHIBITED

REALACOUSTIX LLC RESERVES THE RIGHT TO CHANGE OR MODIFY PRODUCTS ILLUSTRATED IN THE SHOP DRAWINGS AS NEEDED FOR ANY REASON DEEMS NECESSARY TO IMPROVE THE DESIGN OR MEET CERTAIN WEIGHT, MEASUREMENT, VISUAL, ARCHITECTURAL OR STRUCTURAL REQUIREMENTS.

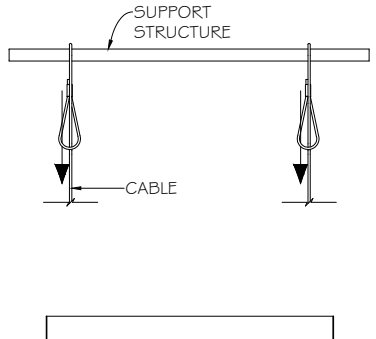
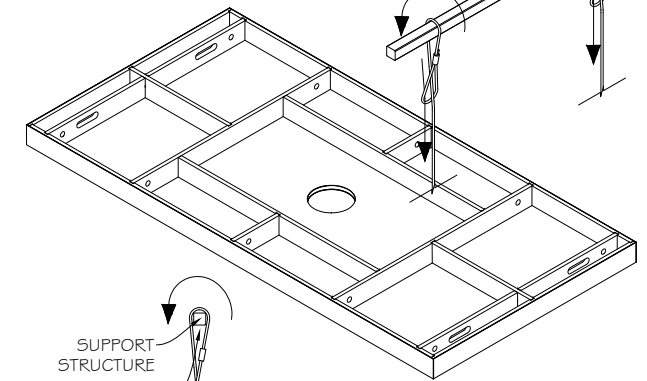
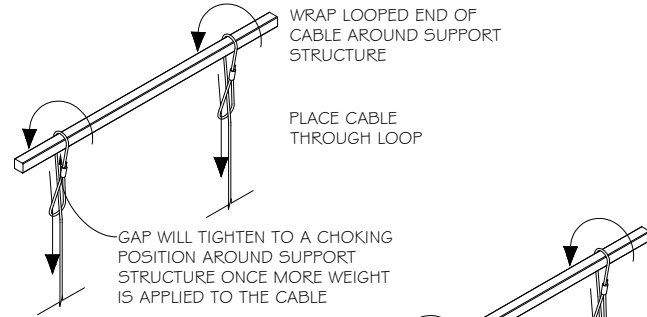
DRAFTED BY: AB
 CHECKED BY:
 MODIFIED DATE:
 9/9/22
 REVISION NUMBER: 1

SD-A02

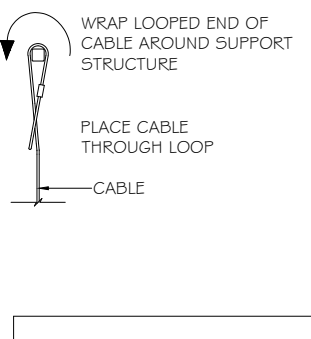
STEP 1.

NOTE:
ALL CONSTRUCTION MUST BE COMPLETE BEFORE PRODUCT ARRIVES
PRODUCT MUST ACCLIMATE AT LEAST 48 HOURS BEFORE INSTALLING
AREA MUST BE CLEAN, DEBRIS-FREE, & DUST-FREE
READ WARRANTY NOTICE FOR MORE INFORMATION

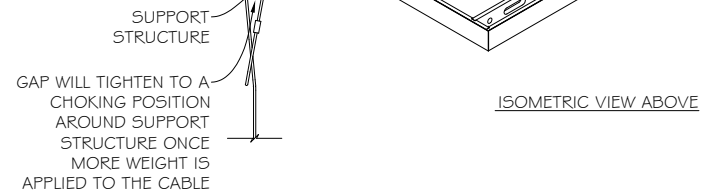
AVOID WRAPPING CABLE AROUND SHARP CORNERS
USE THIMBLES, CORNER GUARDS, ETC. TO PREVENT CABLE CUTS/TEARS
IF CABLE IS DAMAGED, REPLACE IMMEDIATELY TO AVOID INJURIES
DO NOT EXCEED CABLE WEIGHT LIMIT
DO NOT USE MORE THAN ONE HANGER PER CABLE



SHORT SIDE VIEW

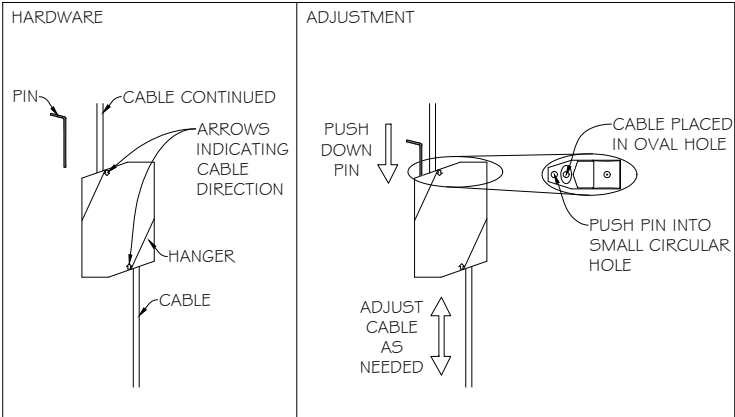


LONG SIDE VIEW

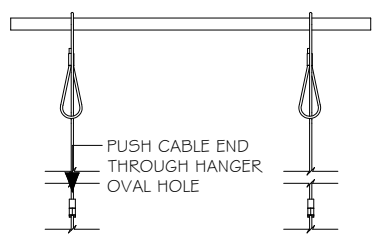


ISOMETRIC VIEW ABOVE

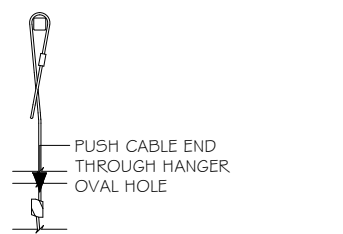
STEP 2.



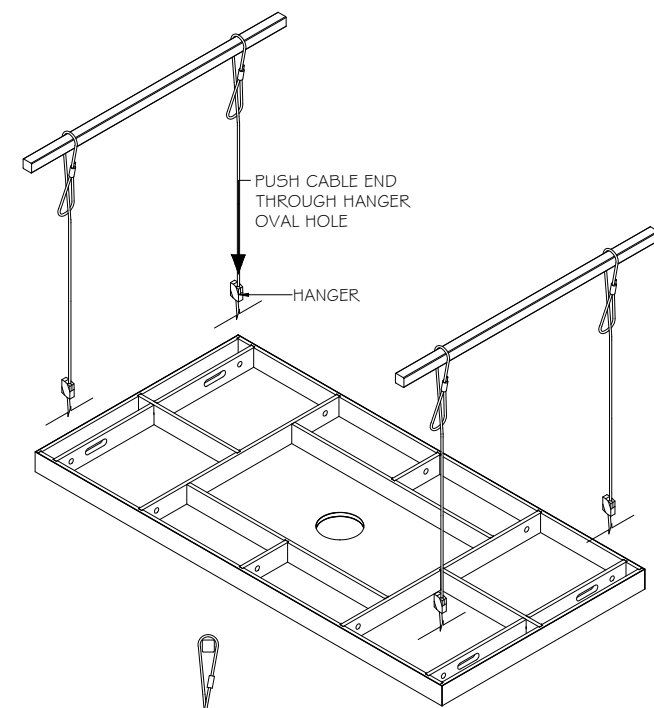
- HANGER CABLE RELEASE TOOL OPTIONS:
- PIN PROVIDED WITH HANGERS (Ø.05" OR Ø1.5MM)
 - .05" ALLEN HEX KEY WRENCH (1/16" IS TOO LARGE)
 - 1.27MM OR 1.5MM ALLEN HEX KEY WRENCH (2MM IS TOO LARGE)
 - LARGE PAPER CLIP



SHORT SIDE VIEW

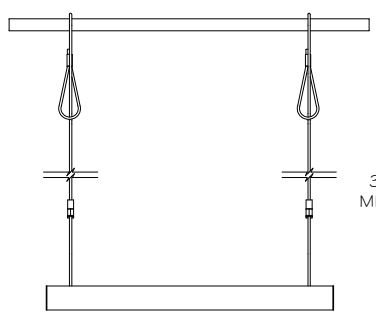
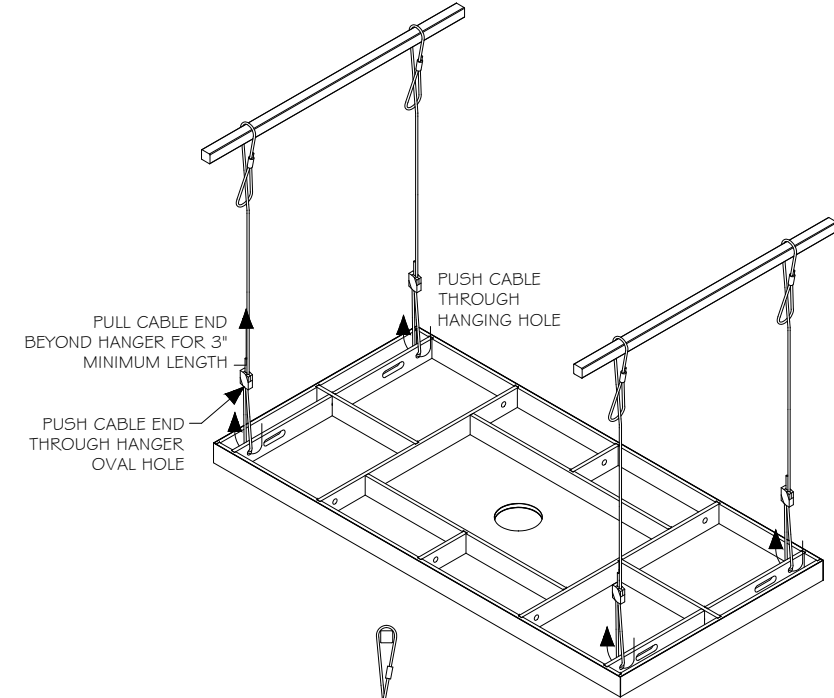


LONG SIDE VIEW

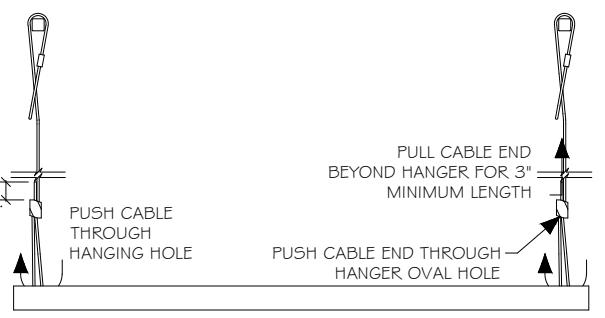


ISOMETRIC VIEW ABOVE

STEP 3.



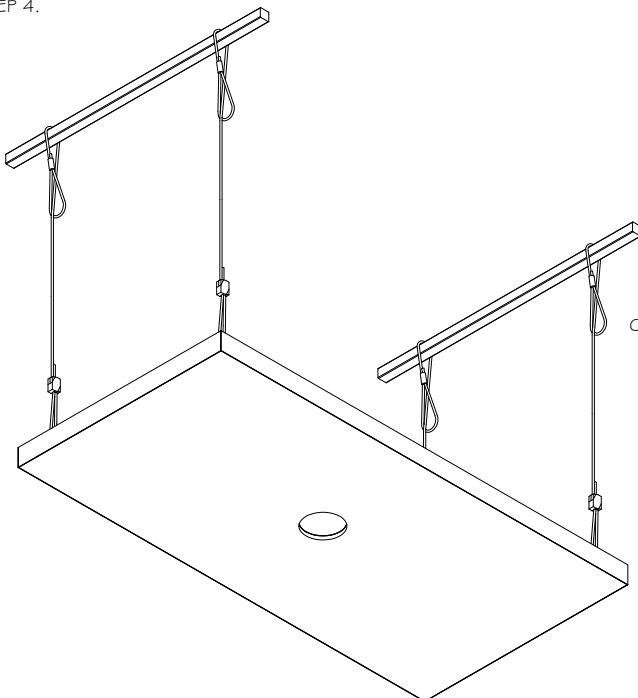
SHORT SIDE VIEW



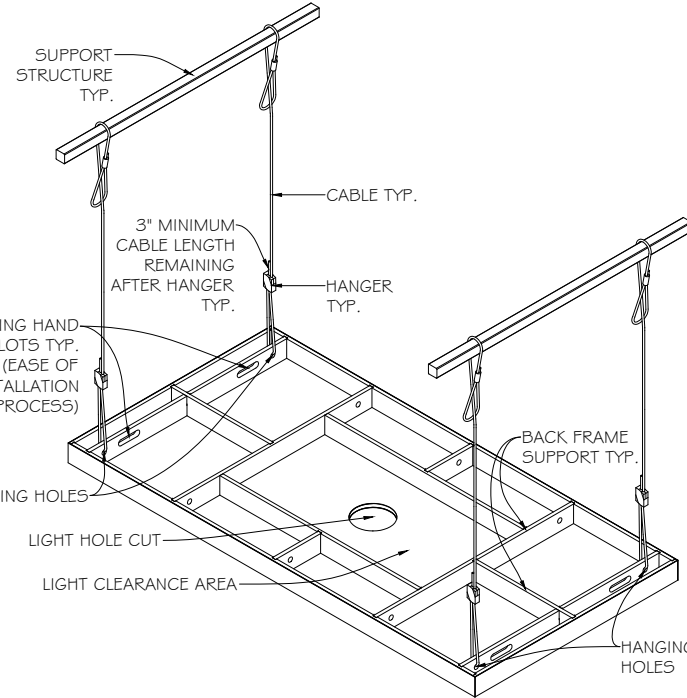
LONG SIDE VIEW

ISOMETRIC VIEW ABOVE

STEP 4.



ISOMETRIC VIEW BELOW



ISOMETRIC VIEW ABOVE

- ADJUSTMENTS:
1. OBTAIN A PIN (RECOMMENDED), ALLEN HEX KEY, OR A THICK PAPER CLIP
 2. OBSERVE THE BACK SIDE OF THE HANGER TO NOTICE TWO SMALL ARROWS
 3. ON THE SAME SIDE THAT THE CABLE IS RUNNING THROUGH, INSERT THE PIN OR PAPER CLIP INTO THE SMALLEST CIRCULAR HOLE (TOO SMALL TO FIT CABLE THROUGH)
 4. THE ARROWS ON THE BACK SIDE OF THE HANGER INDICATE WHICH DIRECTION THE CABLE SHOULD GO; WITH THE PIN OR PAPER CLIP INSERTED, THE CABLE WILL HAVE ACCESS TO GO BOTH DIRECTIONS

CAUTION: IF ADJUSTMENTS ARE BEING MADE THAT REQUIRE RELEASING THE CABLE, BE SURE THAT THERE IS MORE THAN ENOUGH SUFFICIENT SUPPORT OF THE PRODUCT BEFORE DO SO. THE CABLE MAY RELEASE AND RAPIDLY COME OUT OF THE PRODUCT HANGING HOLE IF THIS IS NOT DONE CAREFULLY. ENSURE THAT MULTIPLE HANGERS ARE INSTALLED THROUGHOUT THE PRODUCT PRIOR TO THESE TYPES OF ADJUSTMENTS. ONLY ADJUST ONE HANGER AT A TIME. THERE IS RISK OF INJURY OR DEATH IF THESE SAFETY GUIDELINES ARE NOT FOLLOWED. SAFETY FIRST!



801-782-1010
2361 B AVE
OGDEN, UTAH 84401
INFO@REALACOUSTIX.COM

INSTALLATION

FLUSH FRAME CEILING

PLEASE NOTE THAT THESE INSTRUCTIONS ARE FOR GUIDANCE ONLY. REALACOUSTIX LLC, ITS OWNERS, EMPLOYEES AND STAFF SHALL ASSUME NO LIABILITY FOR THE COMPREHENSION OF THESE INSTRUCTIONS OR THE FOLLOWING THEREOF. NO LIABILITY ON THE PART OF REALACOUSTIX LLC SHALL BE ASSUMED FOR THE WORK INVOLVED IN INSTALLATION OF ITS PRODUCTS BY OTHERS. PLEASE NOTE THAT ALL SAFE PRACTICES AS SPECIFIED BY THE LOCAL BUILDING CODES, OSHA, AND OTHER STANDARD ORGANIZATIONS SHOULD BE FOLLOWED IN THE SELECTION OF MATERIALS AND/OR METHODS USED IN HANGING, MOUNTING, OR INSTALLING REALACOUSTIX LLC PRODUCTS.

PROPRIETARY AND CONFIDENTIAL

THE INFORMATION CONTAINED IN THIS DRAWING IS THE SOLE PROPERTY OF REALACOUSTIX LLC. ANY REPRODUCTION IN PART OR AS A WHOLE WITHOUT THE WRITTEN PERMISSION OF REALACOUSTIX LLC. IS PROHIBITED

REALACOUSTIX LLC RESERVES THE RIGHT TO CHANGE OR MODIFY PRODUCTS ILLUSTRATED IN THE SHOP DRAWINGS AS NEEDED FOR ANY REASON DEEMS NECESSARY TO IMPROVE THE DESIGN OR MEET CERTAIN WEIGHT, MEASUREMENT, VISUAL, ARCHITECTURAL OR STRUCTURAL REQUIREMENTS.

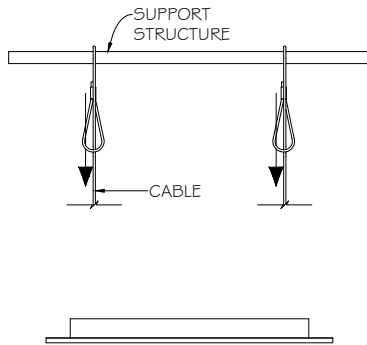
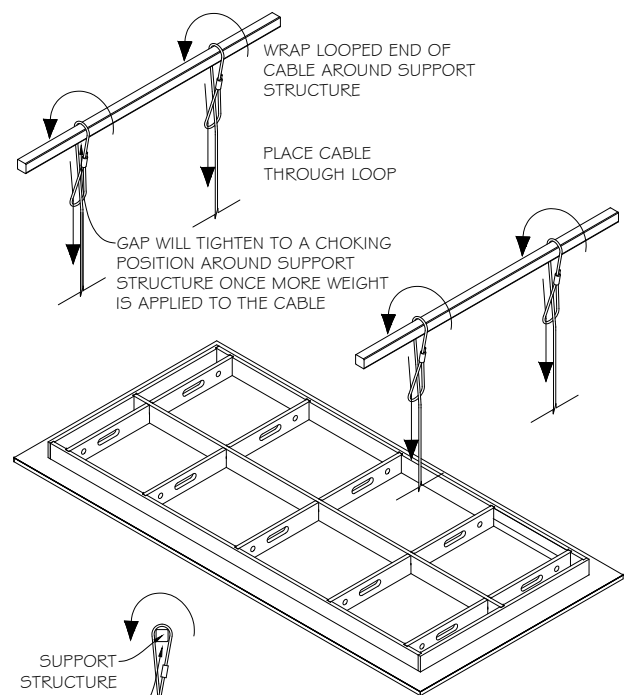
DRAFTED BY: AB
CHECKED BY:
MODIFIED DATE:
9/9/22
REVISION NUMBER: 1

SD-A02

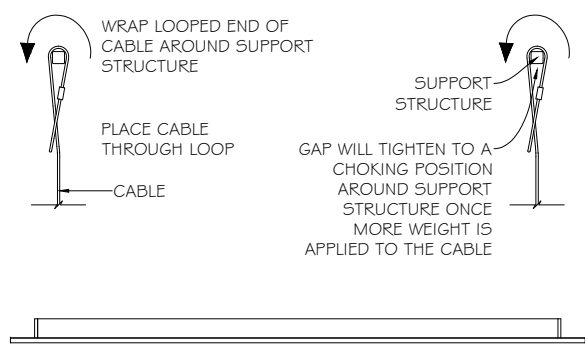
STEP 1.

NOTE:
ALL CONSTRUCTION MUST BE COMPLETE BEFORE PRODUCT ARRIVES
PRODUCT MUST ACCLIMATE AT LEAST 48 HOURS BEFORE INSTALLING
AREA MUST BE CLEAN, DEBRIS-FREE, & DUST-FREE
READ WARRANTY NOTICE FOR MORE INFORMATION

AVOID WRAPPING CABLE AROUND SHARP CORNERS
USE THIMBLES, CORNER GUARDS, ETC. TO PREVENT CABLE CUTS/TEARS
IF CABLE IS DAMAGED, REPLACE IMMEDIATELY TO AVOID INJURIES
DO NOT EXCEED CABLE WEIGHT LIMIT
DO NOT USE MORE THAN ONE HANGER PER CABLE



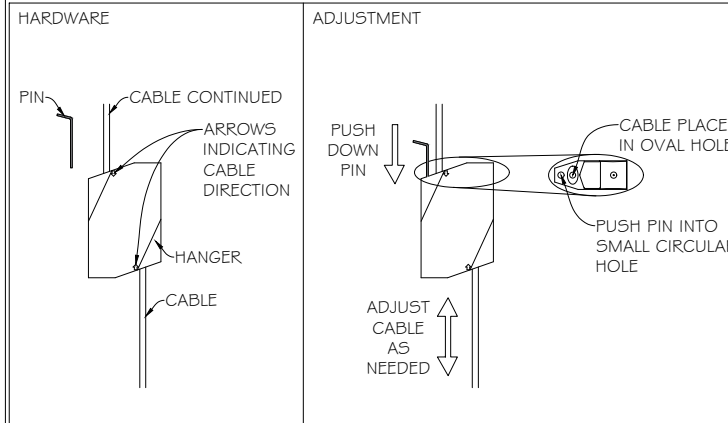
SHORT SIDE VIEW



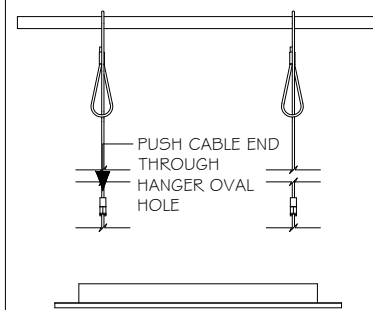
LONG SIDE VIEW

ISOMETRIC VIEW ABOVE

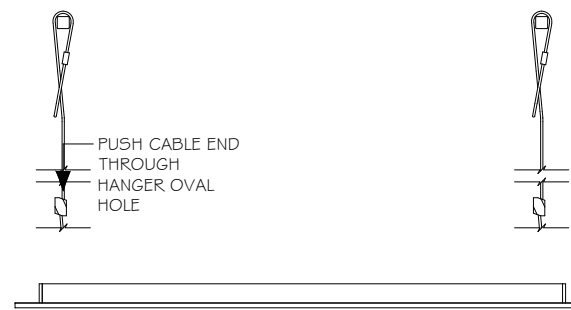
STEP 2.



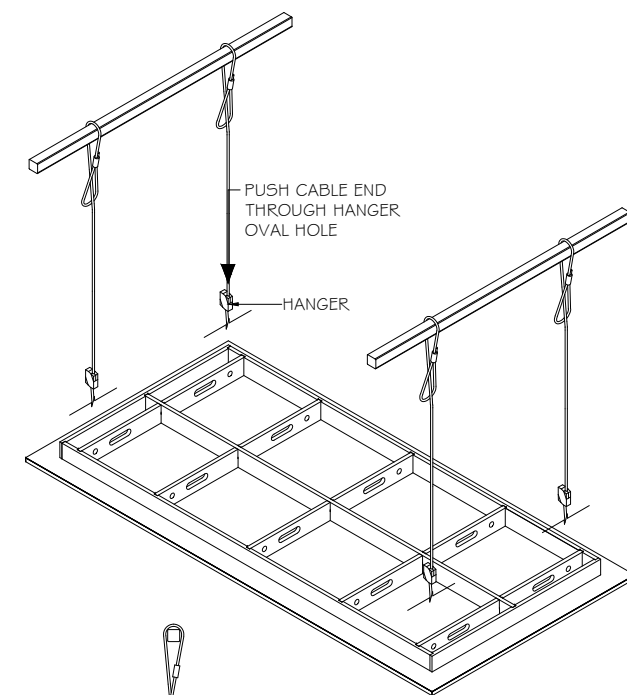
- HANGER CABLE RELEASE TOOL OPTIONS:
- PIN PROVIDED WITH HANGERS (Ø.05" OR Ø1.5MM)
 - .05" ALLEN HEX KEY WRENCH (1/16" IS TOO LARGE)
 - 1.27MM OR 1.5MM ALLEN HEX KEY WRENCH (2MM IS TOO LARGE)
 - LARGE PAPER CLIP



SHORT SIDE VIEW

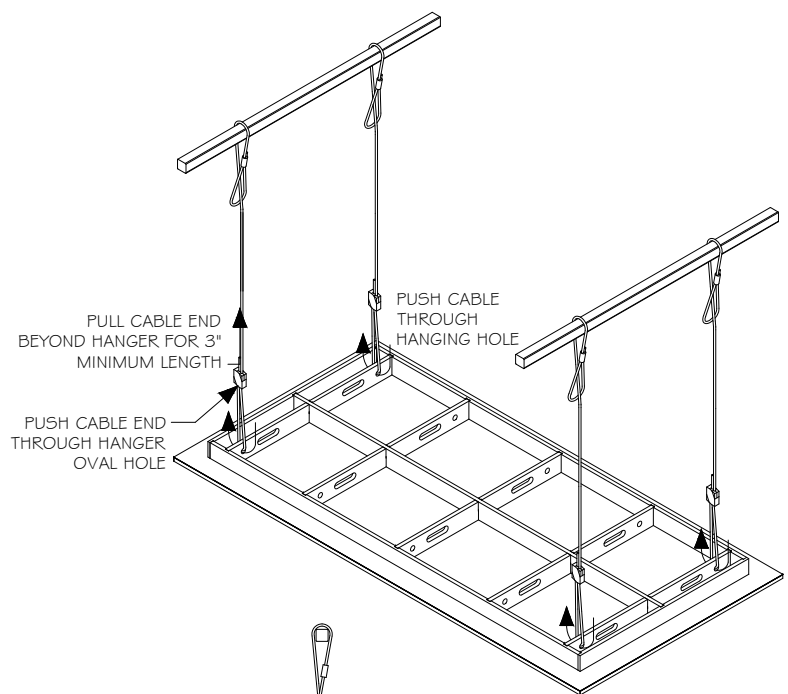


LONG SIDE VIEW

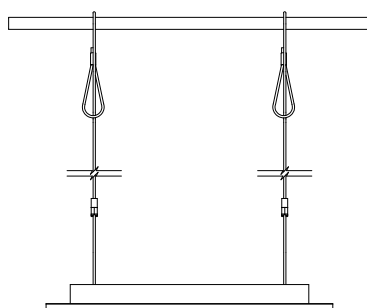


ISOMETRIC VIEW ABOVE

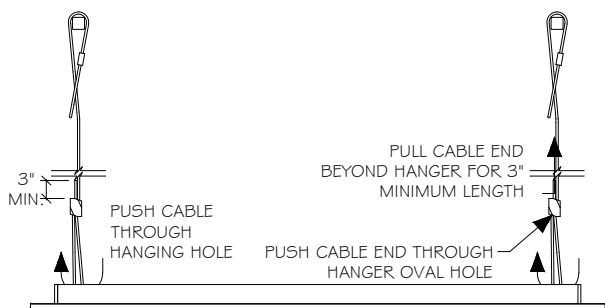
STEP 3.



ISOMETRIC VIEW ABOVE

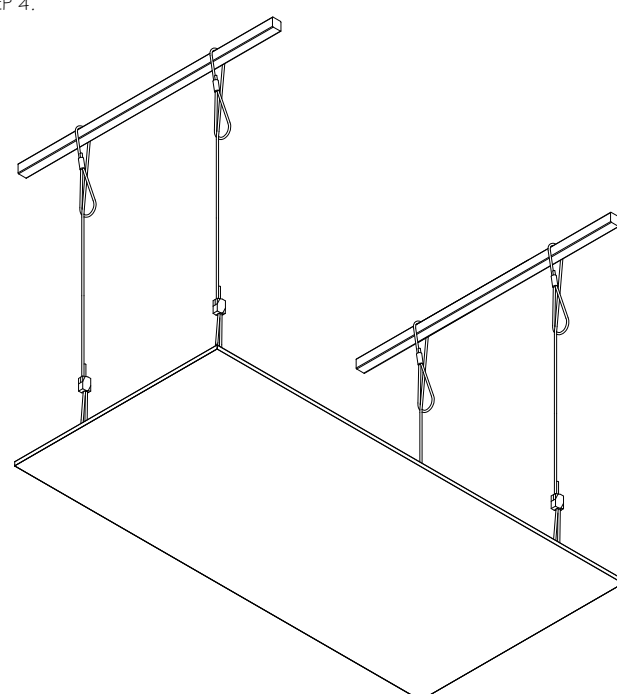


SHORT SIDE VIEW

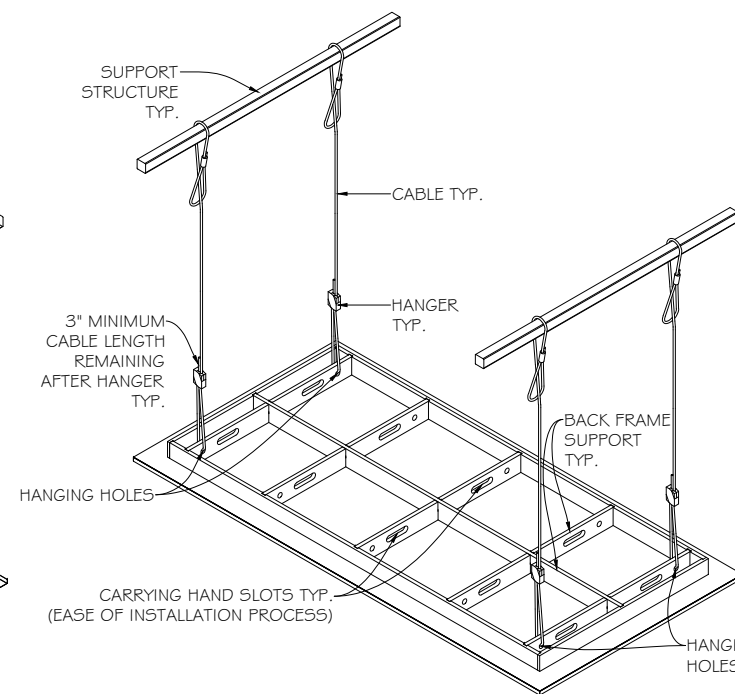


LONG SIDE VIEW

STEP 4.



ISOMETRIC VIEW BELOW



ISOMETRIC VIEW ABOVE

ADJUSTMENTS:

1. OBTAIN A PIN (RECOMMENDED), ALLEN HEX KEY, OR A THICK PAPER CLIP
2. OBSERVE THE BACK SIDE OF THE HANGER TO NOTICE TWO SMALL ARROWS
3. ON THE SAME SIDE THAT THE CABLE IS RUNNING THROUGH, INSERT THE PIN OR PAPER CLIP INTO THE SMALLEST CIRCULAR HOLE (TOO SMALL TO FIT CABLE THROUGH)
4. THE ARROWS ON THE BACK SIDE OF THE HANGER INDICATE WHICH DIRECTION THE CABLE SHOULD GO; WITH THE PIN OR PAPER CLIP INSERTED, THE CABLE WILL HAVE ACCESS TO GO BOTH DIRECTIONS

CAUTION: IF ADJUSTMENTS ARE BEING MADE THAT REQUIRE RELEASING THE CABLE, BE SURE THAT THERE IS MORE THAN ENOUGH SUFFICIENT SUPPORT OF THE PRODUCT BEFORE DO SO. THE CABLE MAY RELEASE AND RAPIDLY COME OUT OF THE PRODUCT HANGING HOLE IF THIS IS NOT DONE CAREFULLY. ENSURE THAT MULTIPLE HANGERS ARE INSTALLED THROUGHOUT THE PRODUCT PRIOR TO THESE TYPES OF ADJUSTMENTS. ONLY ADJUST ONE HANGER AT A TIME. THERE IS RISK OF INJURY OR DEATH IF THESE SAFETY GUIDELINES ARE NOT FOLLOWED. SAFETY FIRST!

Real Acoustix

801-782-1010
2361 B AVE
OGDEN, UTAH 84401
INFO@REALACOUSTIX.COM

INSTALLATION

INSET FRAME CEILING

PLEASE NOTE THAT THESE INSTRUCTIONS ARE FOR GUIDANCE ONLY. REALACOUSTIX LLC, ITS OWNERS, EMPLOYEES AND STAFF SHALL ASSUME NO LIABILITY FOR THE COMPREHENSION OF THESE INSTRUCTIONS OR THE FOLLOWING THEREOF. NO LIABILITY ON THE PART OF REALACOUSTIX LLC SHALL BE ASSUMED FOR THE WORK INVOLVED IN INSTALLATION OF ITS PRODUCTS BY OTHERS. PLEASE NOTE THAT ALL SAFE PRACTICES AS SPECIFIED BY THE LOCAL BUILDING CODES, OSHA, AND OTHER STANDARD ORGANIZATIONS SHOULD BE FOLLOWED IN THE SELECTION OF MATERIALS AND/OR METHODS USED IN HANGING, MOUNTING, OR INSTALLING REALACOUSTIX LLC PRODUCTS.

PROPRIETARY AND CONFIDENTIAL

THE INFORMATION CONTAINED IN THIS DRAWING IS THE SOLE PROPERTY OF REALACOUSTIX LLC. ANY REPRODUCTION IN PART OR AS A WHOLE WITHOUT THE WRITTEN PERMISSION OF REALACOUSTIX LLC. IS PROHIBITED

REALACOUSTIX LLC RESERVES THE RIGHT TO CHANGE OR MODIFY PRODUCTS ILLUSTRATED IN THE SHOP DRAWINGS AS NEEDED FOR ANY REASON DEEMS NECESSARY TO IMPROVE THE DESIGN OR MEET CERTAIN WEIGHT, MEASUREMENT, VISUAL, ARCHITECTURAL OR STRUCTURAL REQUIREMENTS.

DRAFTED BY: AB

CHECKED BY:

MODIFIED DATE:

9/9/22

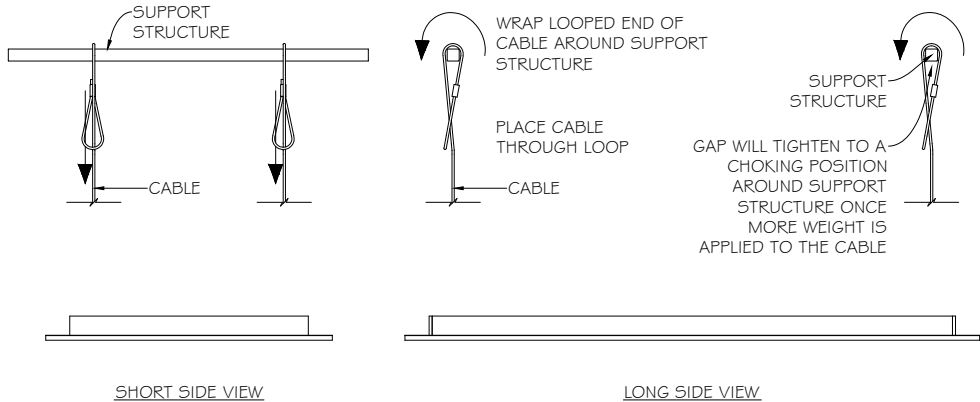
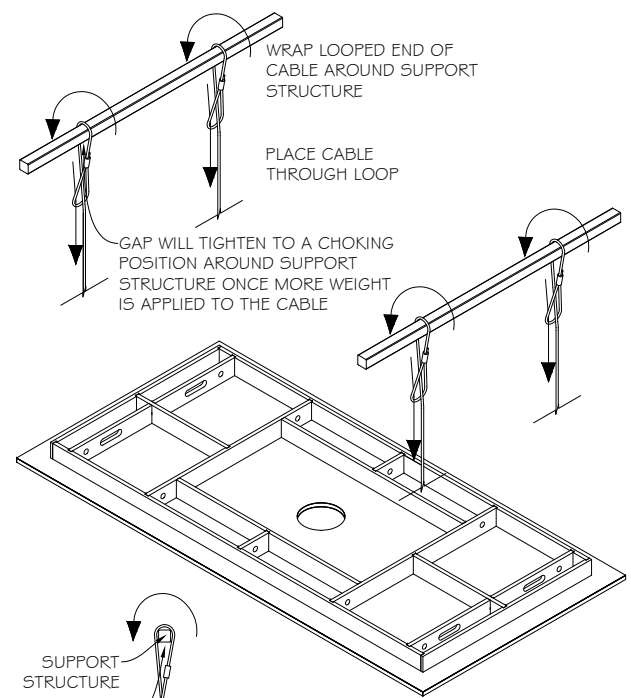
REVISION NUMBER: 1

SD-A02

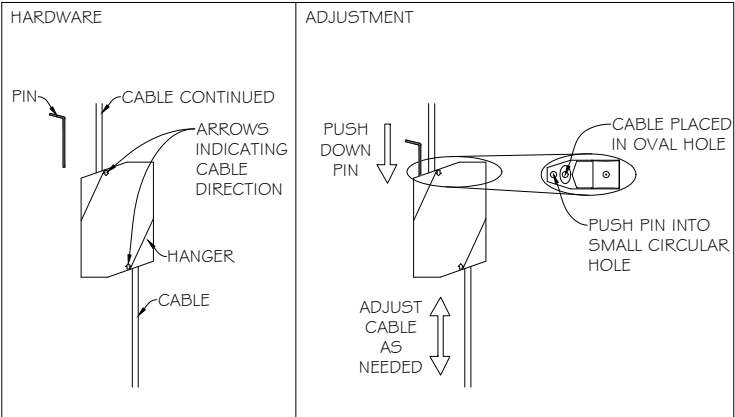
STEP 1.

NOTE:
 ALL CONSTRUCTION MUST BE COMPLETE BEFORE PRODUCT ARRIVES
 PRODUCT MUST ACCLIMATE AT LEAST 48 HOURS BEFORE INSTALLING
 AREA MUST BE CLEAN, DEBRIS-FREE, & DUST-FREE
 READ WARRANTY NOTICE FOR MORE INFORMATION

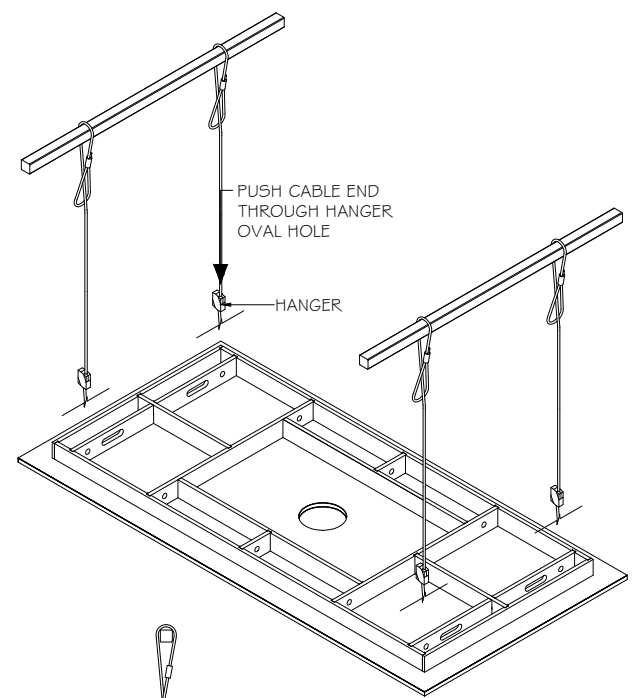
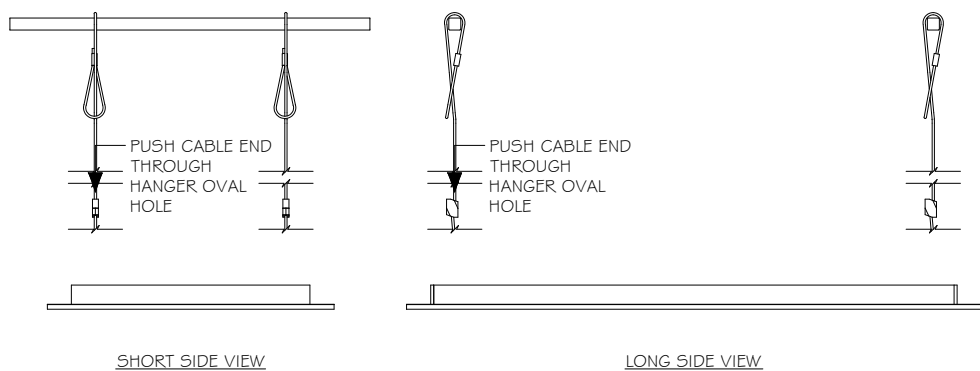
AVOID WRAPPING CABLE AROUND SHARP CORNERS
 USE THIMBLES, CORNER GUARDS, ETC. TO PREVENT CABLE CUTS/TEARS
 IF CABLE IS DAMAGED, REPLACE IMMEDIATELY TO AVOID INJURIES
 DO NOT EXCEED CABLE WEIGHT LIMIT
 DO NOT USE MORE THAN ONE HANGER PER CABLE



STEP 2.



- HANGER CABLE RELEASE TOOL OPTIONS:
- PIN PROVIDED WITH HANGERS (Ø.05" OR Ø1.5MM)
 - .05" ALLEN HEX KEY WRENCH (1/16" IS TOO LARGE)
 - 1.27MM OR 1.5MM ALLEN HEX KEY WRENCH (2MM IS TOO LARGE)
 - LARGE PAPER CLIP

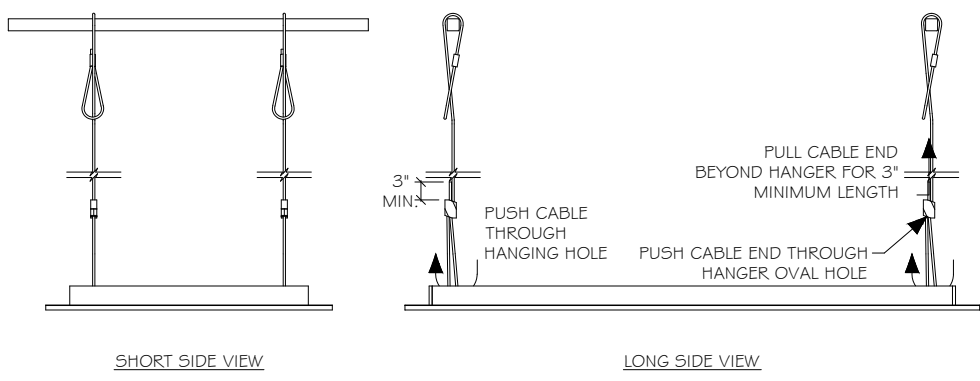
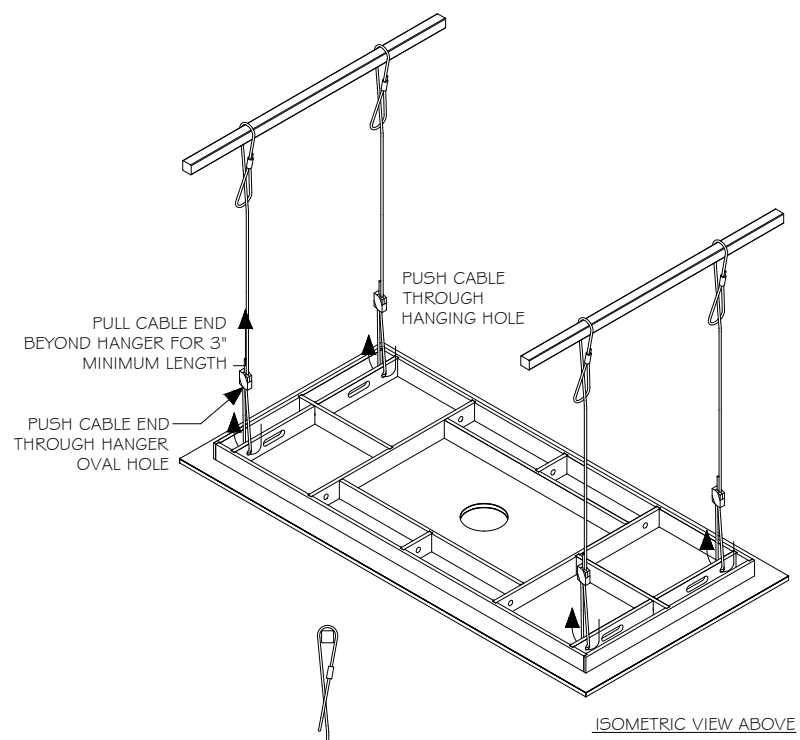


Real Acoustix
 801-782-1010
 2361 B AVE
 OGDEN, UTAH 84401
 INFO@REALACOUSTIX.COM

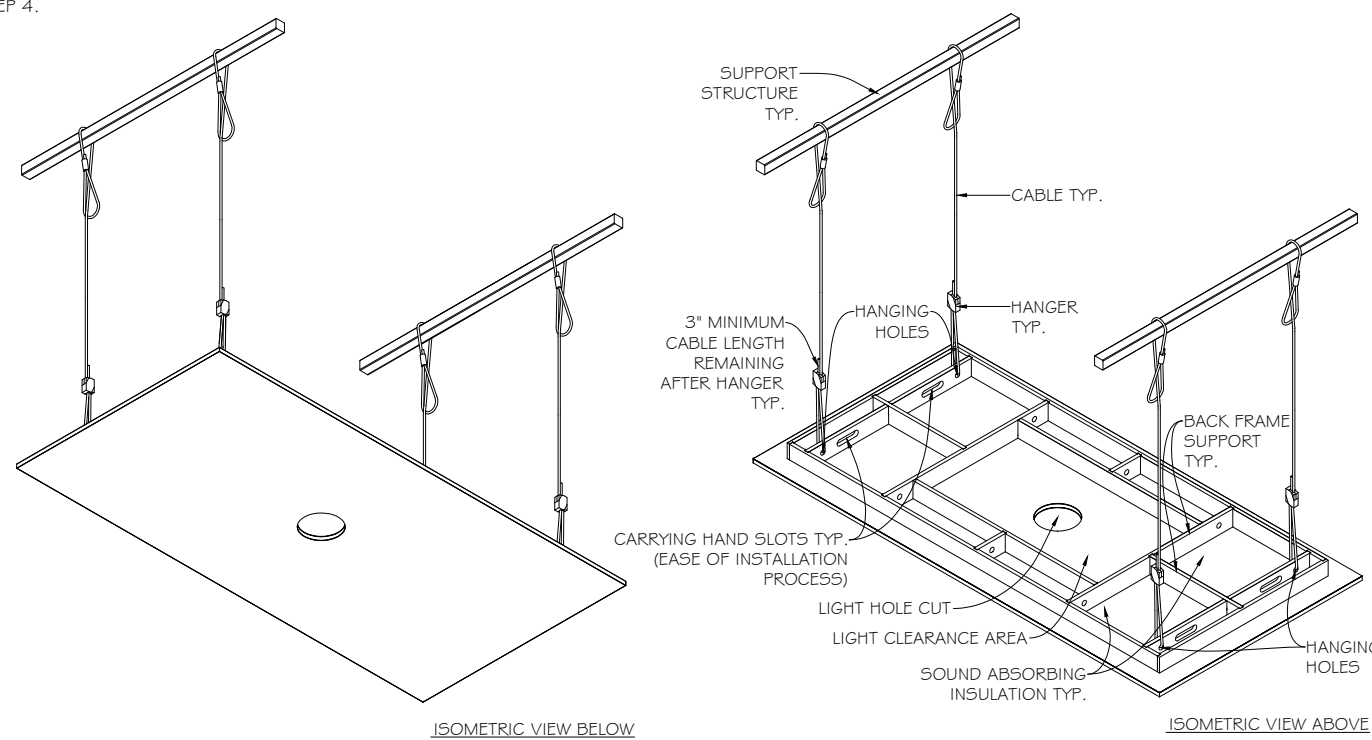
INSTALLATION
 INSET FRAME CEILING

PLEASE NOTE THAT THESE INSTRUCTIONS ARE FOR GUIDANCE ONLY. REALACOUSTIX LLC, ITS OWNERS, EMPLOYEES AND STAFF SHALL ASSUME NO LIABILITY FOR THE COMPREHENSION OF THESE INSTRUCTIONS OR THE FOLLOWING THEREOF. NO LIABILITY ON THE PART OF REALACOUSTIX LLC SHALL BE ASSUMED FOR THE WORK INVOLVED IN INSTALLATION OF ITS PRODUCTS BY OTHERS. PLEASE NOTE THAT ALL SAFE PRACTICES AS SPECIFIED BY THE LOCAL BUILDING CODES, OSHA, AND OTHER STANDARD ORGANIZATIONS SHOULD BE FOLLOWED IN THE SELECTION OF MATERIALS AND/OR METHODS USED IN HANGING, MOUNTING, OR INSTALLING REALACOUSTIX LLC PRODUCTS.

STEP 3.



STEP 4.



- ADJUSTMENTS:
1. OBTAIN A PIN (RECOMMENDED), ALLEN HEX KEY, OR A THICK PAPER CLIP
 2. OBSERVE THE BACK SIDE OF THE HANGER TO NOTICE TWO SMALL ARROWS
 3. ON THE SAME SIDE THAT THE CABLE IS RUNNING THROUGH, INSERT THE PIN OR PAPER CLIP INTO THE SMALLEST CIRCULAR HOLE (TOO SMALL TO FIT CABLE THROUGH)
 4. THE ARROWS ON THE BACK SIDE OF THE HANGER INDICATE WHICH DIRECTION THE CABLE SHOULD GO; WITH THE PIN OR PAPER CLIP INSERTED, THE CABLE WILL HAVE ACCESS TO GO BOTH DIRECTIONS

CAUTION: IF ADJUSTMENTS ARE BEING MADE THAT REQUIRE RELEASING THE CABLE, BE SURE THAT THERE IS MORE THAN ENOUGH SUFFICIENT SUPPORT OF THE PRODUCT BEFORE DO SO. THE CABLE MAY RELEASE AND RAPIDLY COME OUT OF THE PRODUCT HANGING HOLE IF THIS IS NOT DONE CAREFULLY. ENSURE THAT MULTIPLE HANGERS ARE INSTALLED THROUGHOUT THE PRODUCT PRIOR TO THESE TYPES OF ADJUSTMENTS. ONLY ADJUST ONE HANGER AT A TIME. THERE IS RISK OF INJURY OR DEATH IF THESE SAFETY GUIDELINES ARE NOT FOLLOWED. SAFETY FIRST!

PROPRIETARY AND CONFIDENTIAL
 THE INFORMATION CONTAINED IN THIS DRAWING IS THE SOLE PROPERTY OF REALACOUSTIX LLC. ANY REPRODUCTION IN PART OR AS A WHOLE WITHOUT THE WRITTEN PERMISSION OF REALACOUSTIX LLC. IS PROHIBITED

REALACOUSTIX LLC RESERVES THE RIGHT TO CHANGE OR MODIFY PRODUCTS ILLUSTRATED IN THE SHOP DRAWINGS AS NEEDED FOR ANY REASON DEEMS NECESSARY TO IMPROVE THE DESIGN OR MEET CERTAIN WEIGHT, MEASUREMENT, VISUAL, ARCHITECTURAL OR STRUCTURAL REQUIREMENTS.

DRAFTED BY: AB
 CHECKED BY:
 MODIFIED DATE:
 9/9/22
 REVISION NUMBER: 1

SD-A02